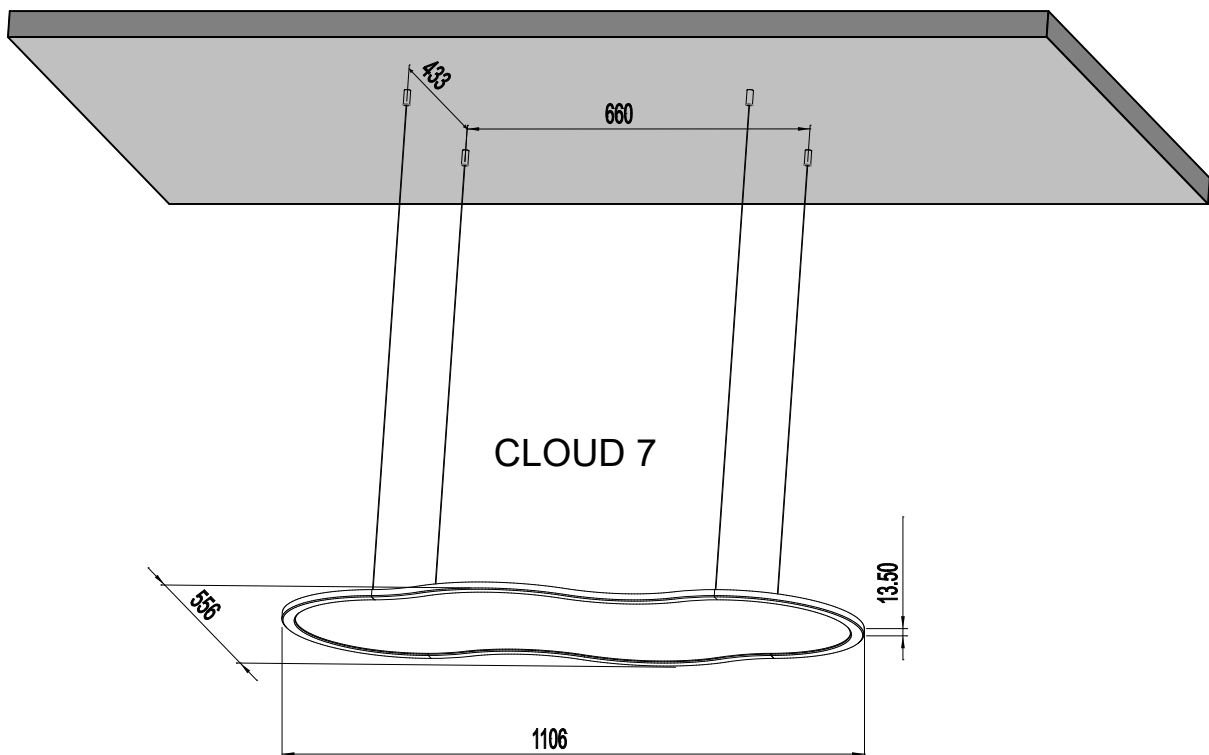


Ceiling



Type	E430 0010	E430 0020
Voltage	24 VDC	24 VDC
Power	60 W	60 W
Power Factor	≥ 0.95	≥ 0.95
Color	cool white	warm white
Color Temperature	6000 K (approx.)	3000 K (approx.)
Light Source	SMD LED 324 pieces	SMD LED 324 pieces
Initial Lumen	5480 – 5800 lm	5480 – 5800 lm
Color Rendering Index	Ra ≥ 85	Ra ≥ 85
Operating Temperature	-20°C to +40°C	-20°C to +40°C
Operating Humidity	30% to 85% RH	30% to 85% RH
Storage Temperature	-30°C to +60°C	-30°C to +60°C
Storage Humidity	10% to 90% RH	10% to 90% RH
Dimensions	556 x 1106 x 13,5mm	556 x 1106 x 13,5mm
Frame	Aluminium	Aluminium
Surface	Sandblasted and colorless anodised	Sandblasted and colorless anodised
Life	50'000h	50'000h
Weight	ca. 5'000g (approx.)	ca. 5'000g (approx.)

Subject to change